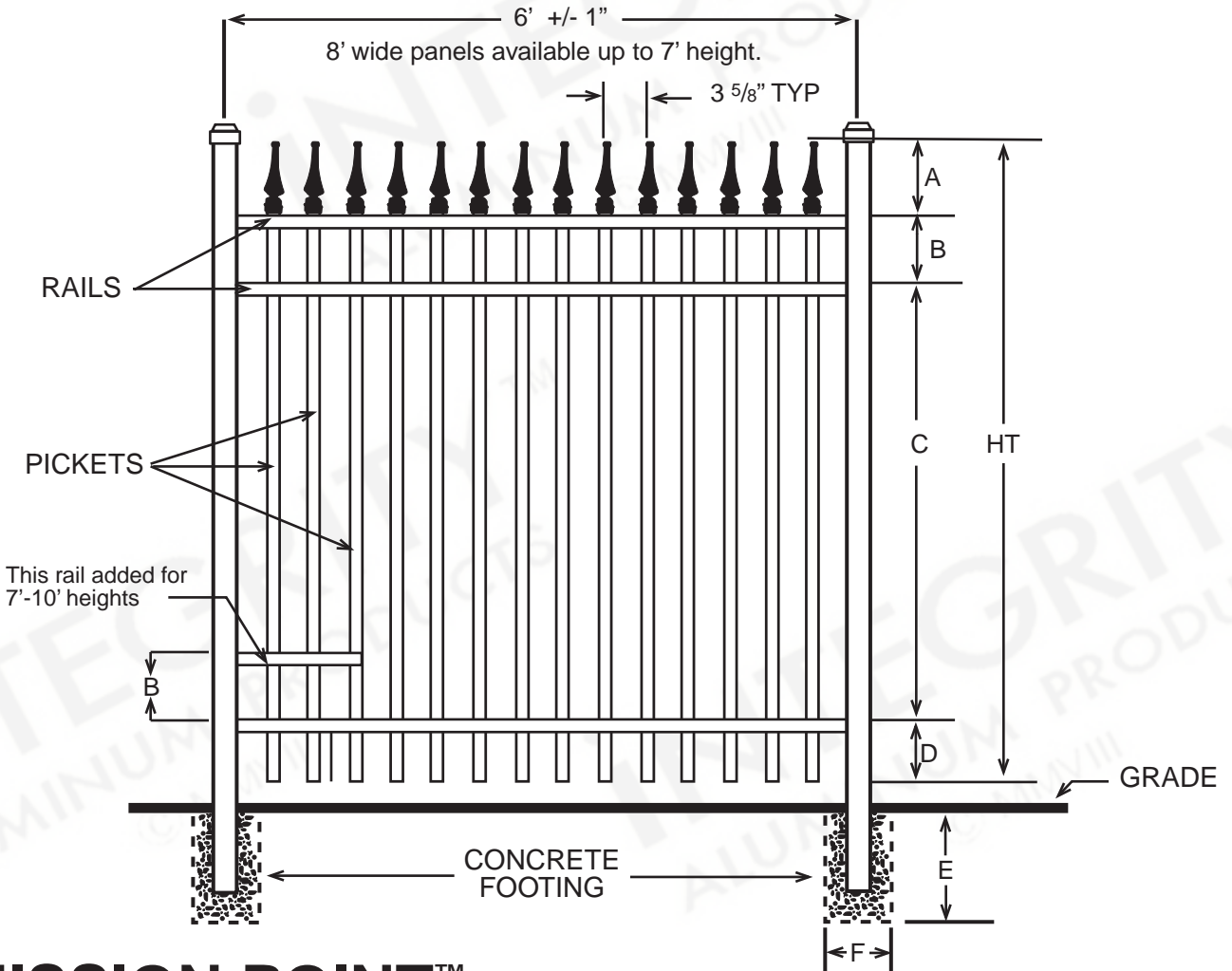


# INTEGRITY™

ALUMINUM PRODUCTS

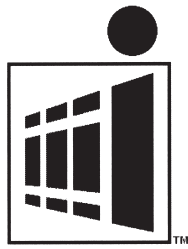
800.762.8876



## MISSION POINT™ ULTIMATE

DIMENSIONS						
HT	A	B	C	D	E	F
3'	6 <sup>5</sup> / <sub>8</sub> "	7 <sup>5</sup> / <sub>8</sub> "	14 <sup>3</sup> / <sub>4</sub> "	7"	Per Local Code	
4'	6 <sup>5</sup> / <sub>8</sub> "	7 <sup>5</sup> / <sub>8</sub> "	26 <sup>3</sup> / <sub>4</sub> "	7"	Per Local Code	
5'	6 <sup>5</sup> / <sub>8</sub> "	7 <sup>5</sup> / <sub>8</sub> "	38 <sup>3</sup> / <sub>4</sub> "	7"	Per Local Code	
6'	6 <sup>5</sup> / <sub>8</sub> "	7 <sup>5</sup> / <sub>8</sub> "	50 <sup>3</sup> / <sub>4</sub> "	7"	Per Local Code	
7'	9 <sup>5</sup> / <sub>8</sub> "	10 <sup>5</sup> / <sub>8</sub> "	53 <sup>3</sup> / <sub>4</sub> "	10"	Per Local Code	
8'	9 <sup>5</sup> / <sub>8</sub> "	10 <sup>5</sup> / <sub>8</sub> "	65 <sup>3</sup> / <sub>4</sub> "	10"	Per Local Code	
9'	12 <sup>5</sup> / <sub>8</sub> "	13 <sup>5</sup> / <sub>8</sub> "	68 <sup>3</sup> / <sub>4</sub> "	13"	Per Local Code	
10'	12 <sup>5</sup> / <sub>8</sub> "	13 <sup>5</sup> / <sub>8</sub> "	80 <sup>3</sup> / <sub>4</sub> "	13"	Per Local Code	
All Dimensions Are Nominal						

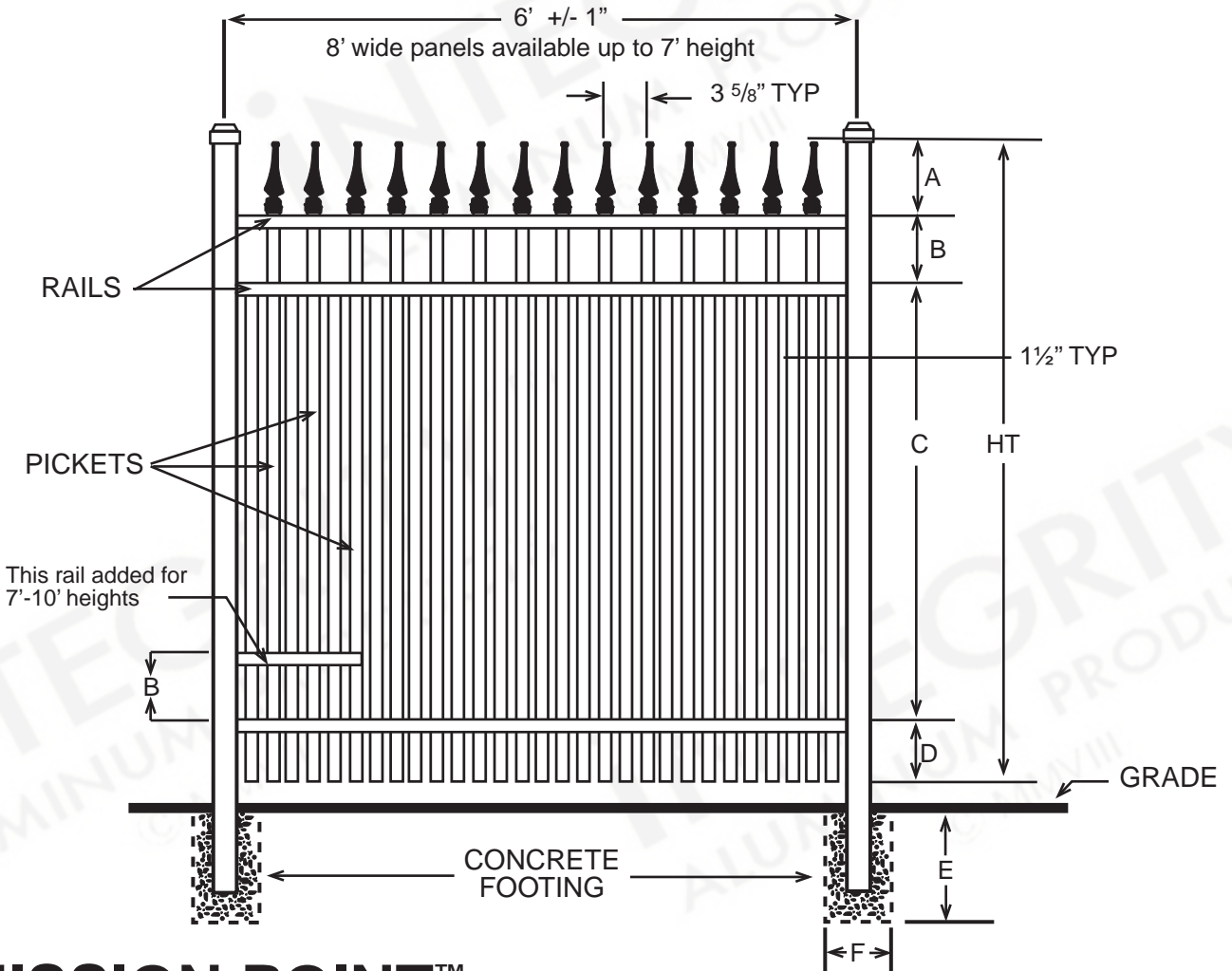
SPECIFICATIONS COMMERCIAL ULTIMATE	
Posts Available	2 <sup>1</sup> / <sub>2</sub> " x 2 <sup>1</sup> / <sub>2</sub> " x .100 Wall 3" x 3" x .125 Wall 4" x 4" x .125 Wall
Horizontal Rails Side Walls Top Walls	1 <sup>5</sup> / <sub>8</sub> " x 1 <sup>5</sup> / <sub>8</sub> " .100" .070"
Pickets Picket Spacing	1" x 1" x .062 Wall 3 <sup>5</sup> / <sub>8</sub> "
Heights Available	3, 4, 5, 6, 7, 8, 9, & 10 Ft.
Widths Available	6 & 8 Ft.



# INTEGRITY™

## ALUMINUM PRODUCTS

800.762.8876



### MISSION POINT™ ULTIMATE EXTREME

DIMENSIONS						
HT	A	B	C	D	E	F
3'	6 <sup>5</sup> / <sub>8</sub> "	7 <sup>5</sup> / <sub>8</sub> "	14 <sup>3</sup> / <sub>4</sub> "	7"	Per Local Code	
4'	6 <sup>5</sup> / <sub>8</sub> "	7 <sup>5</sup> / <sub>8</sub> "	26 <sup>3</sup> / <sub>4</sub> "	7"	Per Local Code	
5'	6 <sup>5</sup> / <sub>8</sub> "	7 <sup>5</sup> / <sub>8</sub> "	38 <sup>3</sup> / <sub>4</sub> "	7"	Per Local Code	
6'	6 <sup>5</sup> / <sub>8</sub> "	7 <sup>5</sup> / <sub>8</sub> "	50 <sup>3</sup> / <sub>4</sub> "	7"	Per Local Code	
7'	9 <sup>5</sup> / <sub>8</sub> "	10 <sup>5</sup> / <sub>8</sub> "	53 <sup>3</sup> / <sub>4</sub> "	10"	Per Local Code	
8'	9 <sup>5</sup> / <sub>8</sub> "	10 <sup>5</sup> / <sub>8</sub> "	65 <sup>3</sup> / <sub>4</sub> "	10"	Per Local Code	
9'	12 <sup>5</sup> / <sub>8</sub> "	13 <sup>5</sup> / <sub>8</sub> "	68 <sup>3</sup> / <sub>4</sub> "	13"	Per Local Code	
10'	12 <sup>5</sup> / <sub>8</sub> "	13 <sup>5</sup> / <sub>8</sub> "	80 <sup>3</sup> / <sub>4</sub> "	13"	Per Local Code	
All Dimensions Are Nominal						

SPECIFICATIONS COMMERCIAL ULTIMATE	
Posts Available	2 <sup>1</sup> / <sub>2</sub> " x 2 <sup>1</sup> / <sub>2</sub> " x .100 Wall 3" x 3" x .125 Wall 4" x 4" x .125 Wall
Horizontal Rails Side Walls Top Walls	1 <sup>5</sup> / <sub>8</sub> " x 1 <sup>5</sup> / <sub>8</sub> " .100" .070"
Pickets Picket Spacing	1" x 1" x .062 Wall 1 <sup>1</sup> / <sub>2</sub> "
Heights Available	3, 4, 5, 6, 7, 8, 9, & 10 Ft.
Widths Available	6 & 8 Ft.